

9100 Sliding Gates

Part of the 9100 SLIDING GATE RANGE

DESCRIPTION



PLUG & PLAY
INSTALLATION

Automatic | Compliant | Plug & Play

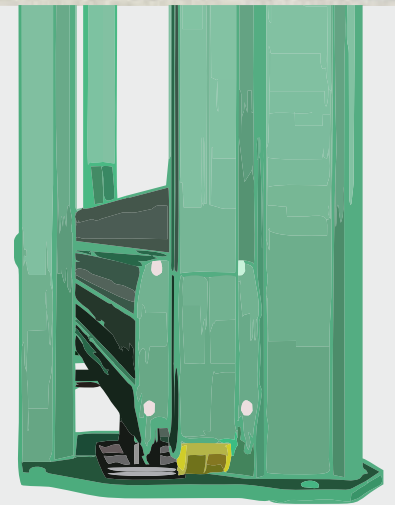
- 100% duty cycle heavy industrial usage
- BS EN 12453 Peace of mind for safety
- Single Phase Supply
- Plug & Play installation
- Programmable control panel c/w fault diagnostic on screen display
- Highest specification of components are ONLY used
- Seamlessly forms part of the existing fence lines perimeter security
- Aluminium construction for long lasting and maintenance free performance
- MANY different infill's available to match clients exacting requirements
- Error log is stored in the control panel for fault diagnosis
- A VERY easy to use manual release mechanism which requires no tools in the event of power failure.

9100 ADDED BENEFITS

- Ease of installation
- Low maintenance
- 99.9% Access Control compat
- Pedestrian input as standard
- Fire Alarm Input pre-configured
- Designed and built to last
- Easy to use for end users

OPTIONAL EXTRAS

- Razor Wire Extensions
- Electric Fence
- Anti-Climb Spikes
- Traffic Lights
- Warning Siren
- Timber Infills
- Louvre Infills



"INDUSTRY STANDARD"

Our gates have been classed as the best in the industry. It has been designed to last using the best materials and components that we can buy. As with all our products they are 100% Duty Cycle



ABSOLUTE CONTROL

The 9100 Sliding Gates feature a Feig control panel that is far more advanced for safety and motion than its rivals

**THE UK'S
No1
TRIED,
TESTED
& TRUSTED
INDUSTRIAL
GATES**

Following the success of our larger PF9000 Sliding gates and due to market demand, we have developed the PF9100 designed for smaller openings. This makes the price point one of the best on the market, enabling you to be even more competitive.

The 9100 Automatic Cantilever Sliding Gate complies with BS/EN 12453. The gate portal is fitted with dual height photocells and 6 category 3 monitored live safety edges. The gate is controlled by a purpose made German Feig control panel, single phase supply, via an integrated frequency converter controlled output to a 3 phase motor. The gate's movement is controlled via a rack & pinion system monitored by an encoder. Our gates are delivered on a vehicle equipped with a crane, fully assembled, ready to bolt down continuing our "plug & play" ethos. This minimises disruption on site and ensures a smooth, quick and easy installation.

We have developed the gate using aluminium construction with its obvious anti-corrosion properties/strength and longevity in mind. Trusted by many in the industry as the ultimate sliding gate it can be clad with a HUGE range of infills to suit the existing perimeter fence line.



9100 Sliding Gates



PRODUCT SPECIFICATION

Gate Speed

3 to 6 Seconds Per Metre
(Speed WILL vary dependant upon gate size/Infill etc)

Duty Cycle

100% Heavy Industrial Usage
Suitable for Indoor & Outdoor Usage

Specification

CE Approved, TUV Approved

Power Requirements

Single Phase 240v 50Hz 10 Amps

Colours

All RAL Colours Available
(Non Standard RAL's Optional Cost)

Maximum Span Dimensions

6m Clear Drive Through Opening

Maximum Height Dimensions

2.4 Metres (Max Width 6m)

Material Construction

Aluminium Construction of Gate Leaf and Main Tower
Tower Top/Base plate Wheel Carriages Zinc Plated Steel

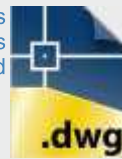
Unit Weight

560Kg Approx
(dependant upon gates size and infill type)

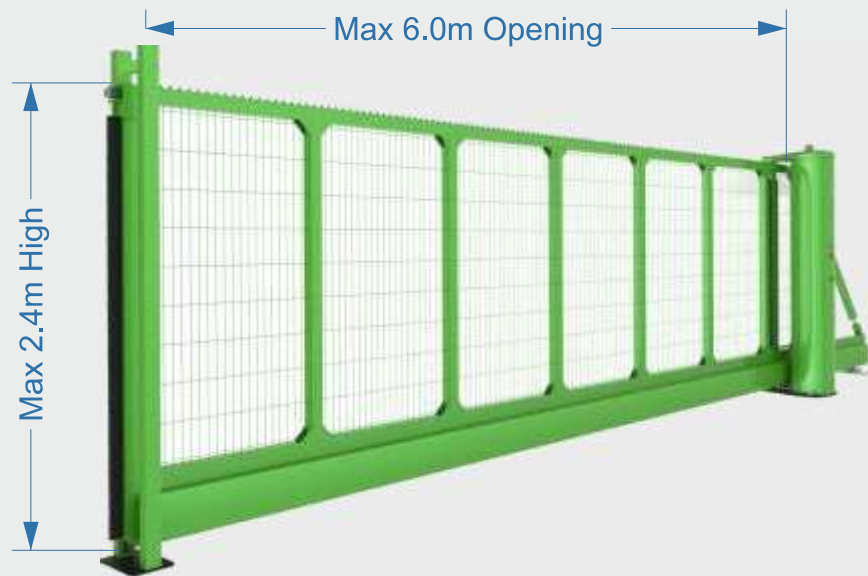


PLUG & PLAY
INSTALLATION

CAD Drawings
provided as
standard



Tech Support
provided and FREE
mobile APP as
standard



*All gates are bespoke and manufactured to order.



Easy to Use
Manual Release



Strong Lower
Beam Design



Six Category 3
Safety Edges

Advanced Rolling Gear

Pedestrian Gate

4200 Pedestrian Gate



4200

Pedestrian Gates secure and control access to un-authorised areas. They are available in manual, semi-automatic and fully automatic variants. They are generally used as pedestrian access through secure perimeter fence lines. Our pedestrian gates are very versatile and have been designed with ease of installation in mind.

We provide spans from 1.2 metres up to 2.0 metres wide and heights up to 3.0 metres, 2.4 metres being the most common. They can be clad with a vast range of different infills from mesh/palisade/wood and tube bar as standard.

The gate is hinged from adjustable high quality rod eye bearings with incorporated grease nipples. A large range of different locking mechanism's, key coded handles and other devices can secure the gate in the closed position. As each gate is custom built, we can work from the customer's or architect's specification to make the gate suit the locking mechanism.

- Custom Designed & Built to Suit Individual Applications
- Semi-Automatic Gates use a high Quality German Gas Strut
- 100% Mild Steel Welded Construction
- Automatic Gates - Fail Safe or Fail Secure Modes Available
- Adjustable Rod Eye Bearing Hinges with Integrated Grease Nipples

4200 Optional Extras

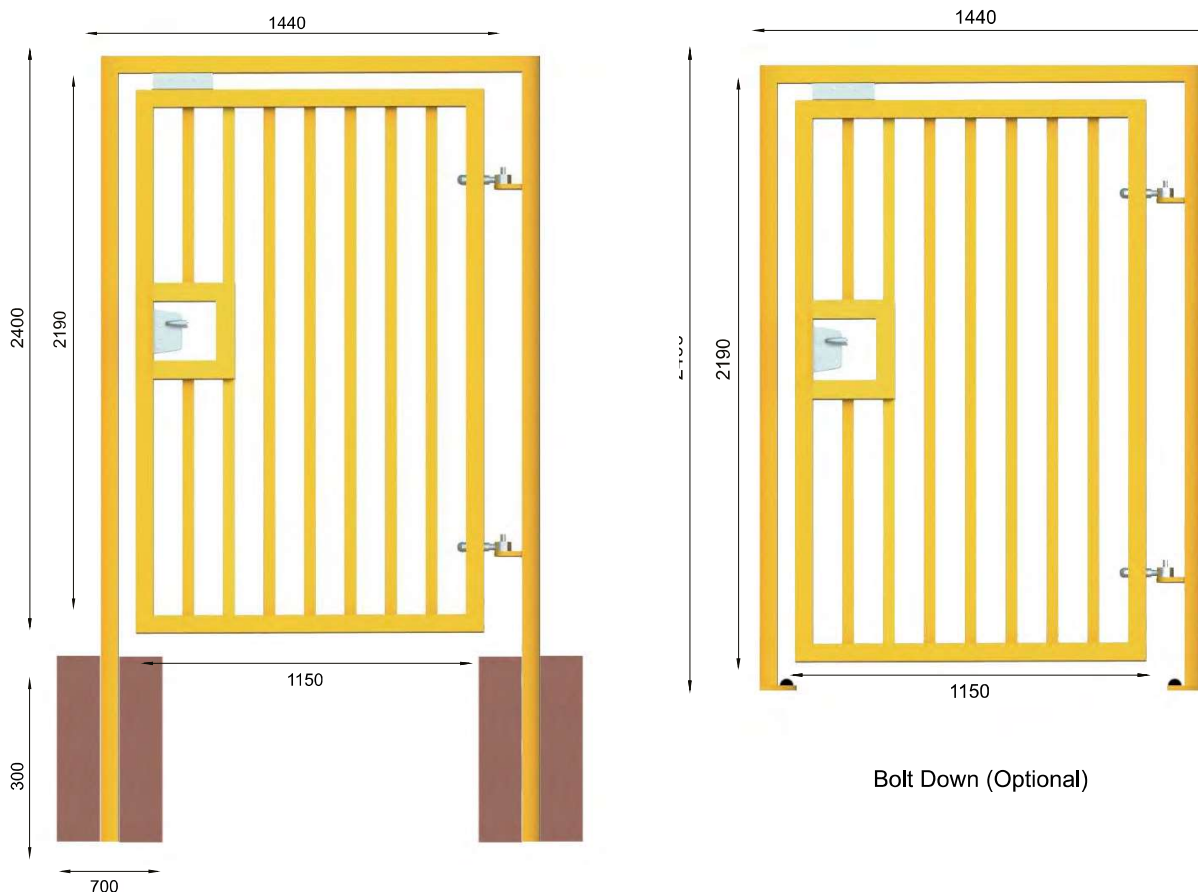
- Galvanised Finish
- Magnetic Lock Holding Force: 1300Lbs/600Kgs
- Gas Strut Self Closure
- Different Locking & Handles Available
- Different Infill's Available
- Choice of RAL Colours Available
- Push Bar & Break Glass Emergency Exit Mechanism's Available
- Electro Mechanical Low Voltage Ram



4200 Product Specification



Specification	CE Rated
Duty Cycle	up to 70%
Finish	Powder Coated (Galvanised Optional)
Power Requirements	230V 10 Amp MCB 50Hz (Semi or Automatic Variants Only)
Material	Mild Steel
Dimensions	Standard 1440mm x 2400mm
Infill	Mesh/Wood/Palisade/Tube Bar
Installation	Cast In or Bolt Down



PF4200S Automates Pedestrian Gate

The 4200 Automated pedestrian gate is a Plug & Play robust and reliable solution that will serve effortlessly for many years. The new automated gate is of aluminium construction with a direct drive unit discreetly located in the gate header for security, safety and reliability.

The 4200 utilises a driven integrated frequency converter, single phase power, supplying a 3 phase motor, worm and wheel gearbox with a direct-drive shaft connected to the gate leaf, which ensures a smooth and positive movement.

The 4200 Swing gates are rated for 100% duty cycle i.e. continuous operation.

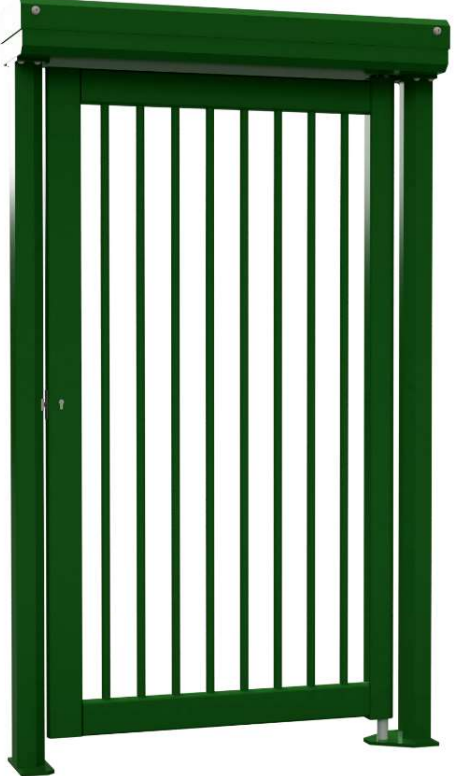
A wide range of alternative infills are available to suit customers requirements and to match adjoining fencing design.

The gates are supplied with an intelligent and compliant! control board which is mounted in the header of the gate.

The 4200 Swing Gates comply with BS/EN 12453 (ALL automated gates must comply with the current legislation).

We fit as standard a number of category 3 safety edges including obstacle detection.

Our Swing Gates drastically reduce engineer installation time on site meaning this also is a better solution to automating existing gates financially for you and your customer.



Electric solenoid lock

- 100% duty cycle heavy industrial usage
- BS EN 12453 Peace of mind for safety
- Single Phase Supply
- 99.9% Access Control compatible
- Fire Alarm Input pre-configured

PRODUCT SPECIFICATION

- Gate Speed
- 8 to 12 Seconds
- (Speed WILL vary dependant upon gate size/Infill etc) Duty Cycle
- 100% Heavy Industrial Usage
- Suitable for Indoor & Outdoor Usage
- Specification
- CE Approved, TUV Approved
- Power Requirements
- Single Phase 240v 50Hz 10 Amps
- Colours: Any standard RAL colour
- Additional items: Photo cell supplied on request



ABSOLUTE CONTROL
The 4200 Swing Gates feature a Feig control panel that is far more advanced for safety and motion than its rivals

Manual Swinging Gates

5700 Manual Swinging Gates



5700

The 5700 Swinging Gate provides an ideal low cost solutions to a wide variety of parking, road access and traffic management requirements.

It is ideal for locations or situations where a fully automated barrier or gate entry system is either not necessary or cost effective.

The 5700 is available as a single or double leaf version, in either standard or heavy duty box section.

Constructed from high quality steel hollow box section, the robust structure of the 5700 means it is ideally employed in unmanned areas with low volume traffic.

This durable gate can be locked in either the open or closed position via an additional latch post and padlock, providing excellent security to any area when required.

Specification	Steel Constructed Swinging Gate
Material	Mild Steel Squared Hollow Section
Construction - Standard	Gates - 80 x 80 x 3mm / Posts 120 x 120 x 5mm
Construction - Heavy Duty	Gates - 80 x 80 x 3mm / Posts 150 x 150 x 5mm
Finish	Powder Coated as Standard & Galvanised (Additional Cost)
Fittings	Comes Complete with Padlock & Fixings

9000 Sliding Gates

Part of the 9000 SLIDING GATE RANGE

DESCRIPTION



Automatic | Compliant | Plug & Play

- 100% duty cycle heavy industrial usage
- BS EN 12453 Peace of mind for safety
- Single Phase Supply
- Plug & Play installation
- Programmable control panel c/w fault diagnostic on screen display
- Highest specification of components are ONLY used
- Seamlessly forms part of the existing fence lines perimeter security
- Aluminium construction for long lasting and maintenance free performance
- MANY different infill's available to match clients exacting requirements
- Error log is stored in the control panel for fault diagnosis
- A VERY easy to use manual release mechanism which requires no tools in the event of power failure.

9000 ADDED BENEFITS

- Ease of installation
- Low maintenance
- 99.9% Access Control compat
- Pedestrian input as standard
- Fire Alarm Input pre-configured
- Designed and built to last
- Easy to use for end users

OPTIONAL EXTRAS

- Razor Wire Extensions
- Electric Fence
- Anti-Climb Spikes
- Traffic Lights
- Warning Siren
- Timber Infills
- Louvre Infills



"INDUSTRY STANDARD"

Our gates have been classed as the best in the industry. It has been designed to last using the best materials and components that we can buy. As with all our products they are 100% Duty Cycle



ABSOLUTE CONTROL

The 9000 Sliding Gates feature a Feig control panel that is far more advanced for safety and motion than its rivals

**THE UK'S
No1
TRIED,
TESTED
& TRUSTED
INDUSTRIAL
GATES**

The 9000A Automatic Cantilever Sliding Gate complies with BS/EN 12453. The gate portal is fitted with dual height photocells and 6 category 3 monitored live safety edges. The gate is controlled by a purpose made German Feig control panel, single phase supply, via an integrated frequency converter controlled output to a 3 phase motor. This can be configured very easily for all the standard program modes including no passage time outs & free exit and entry loops to name a few. As standard the control panel can accommodate pedestrian open signals, airlock systems and much more. The gate's movement is controlled via a rack & pinion system monitored by an encoder. This allows for a precise and controlled operation that is robust and dependable. Our gates are delivered on a vehicle equipped with a crane, fully assembled, ready to bolt down continuing our "plug & play" ethos. This minimises disruption on site and ensures a smooth, quick and easy installation. We have developed the gate using aluminum construction with its obvious anti-corrosion properties/strength and longevity in mind. Trusted by many in the industry as the ultimate sliding gate it can be clad with a HUGE range of infills to suit the existing perimeter fence line.



9000 Sliding Gates



PRODUCT SPECIFICATION

Gate Speed

3 to 6 Seconds Per Metre
(Speed WILL vary dependant upon gate size/Infill etc)

Duty Cycle

100% Heavy Industrial Usage
Suitable for Indoor & Outdoor Usage

Specification

CE Approved, TUV Approved

Power Requirements

Single Phase 240v 50Hz 10 Amps

Colours

All RAL Colours Available
(Non Standard RAL's Optional Cost)

Maximum Span Dimensions

12m Clear Drive Through Opening

Maximum Height Dimensions

2.4 Metres (Max Width 12m)
3.0 Metres (Max Width 10m)

Material Construction

Aluminium Construction of Gate Leaf and Main Tower
Tower Top/Base plate Wheel Carriages Zinc Plated Steel

Unit Weight

560Kg Approx
(dependant upon gates size and infill type)

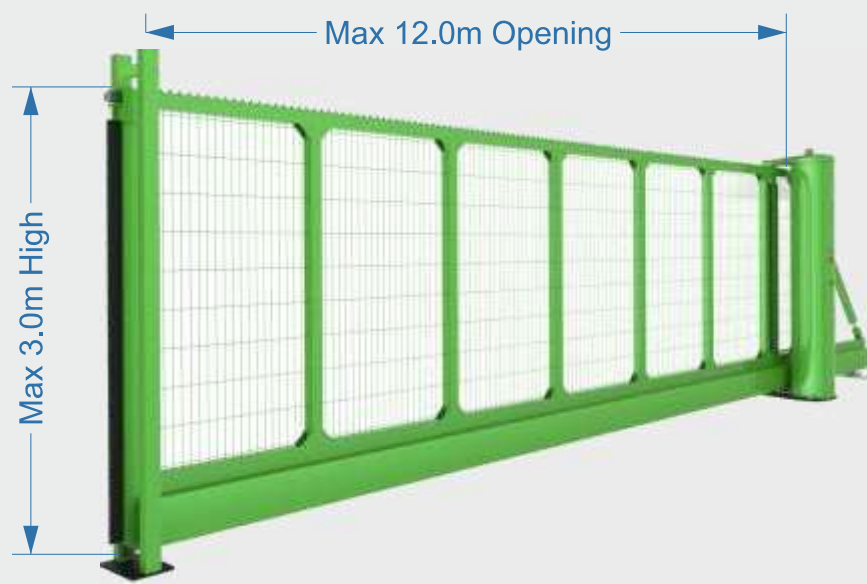
CAD Drawings provided as standard



Tech Support provided and FREE mobile APP as standard



PLUG & PLAY INSTALLATION



*All gates are bespoke and manufactured to order.



Easy to Use Manual Release



Strong Lower Beam Design



Six Category 3 Safety Edges

Advanced Rolling Gear

Manual Sliding Gate

9000 Manual Sliding Gate



9000

The 9000 Cantilever Manual Sliding Gate is a cost effective, low maintenance and simple way of manually controlling access to unauthorised areas.

The internal roller mechanism ensures a smooth and consistent ease of operation providing a durable and efficient service for years to come.

Optional spikes line the top of the gate to deter intruders. The 6mm wall thickness, evenly spaced individual aluminium bars fitted as standard, further add to the sturdy appearance. A heavy duty locking mechanism as standard will give you peace of mind in the knowledge that the lock is as tough and secure as the gate.

The manual gates share the same flexibility as the automatic range offering a vast choice of infills such as palisade, mesh and customised, which can be easily applied to the gate frame if the standard tubular bar is not suitable for the environment.

The gate is delivered as a complete unit and lowered on to pre-installed concrete plinths.

9000 Added Benefits

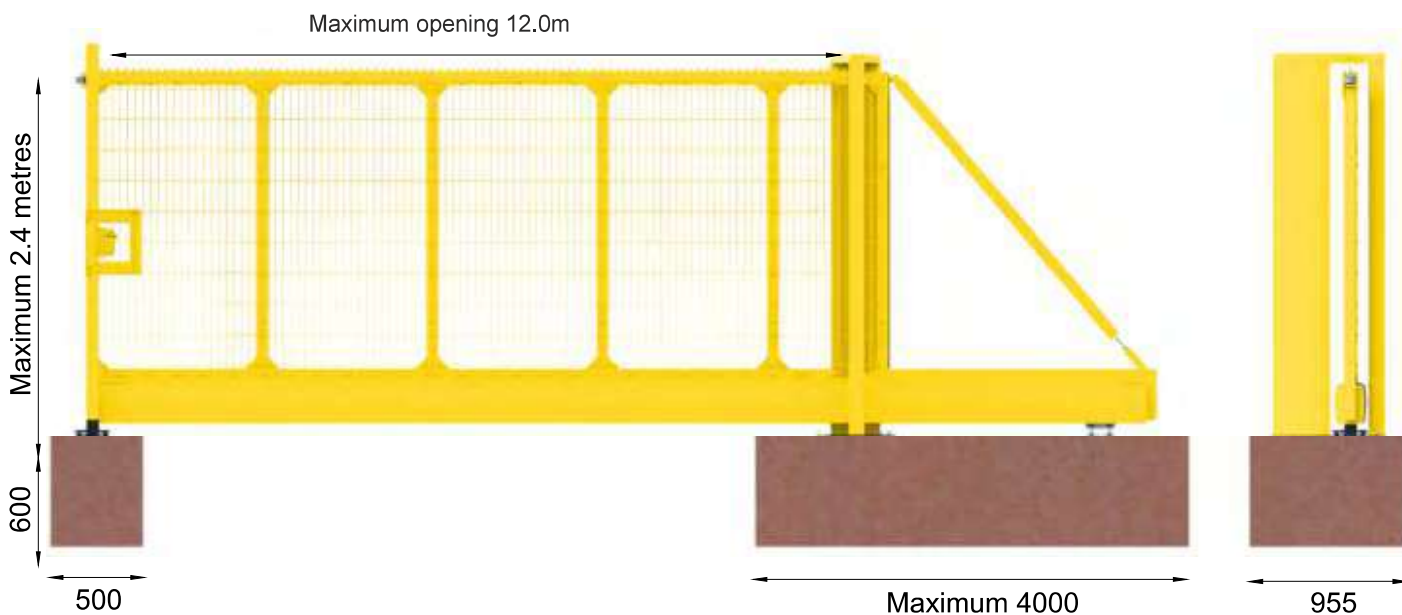
- Maximum Span: 12 Metres
 - Drive Unit: Manual
 - Aluminium Powder Coated Finish
 - Maximum Height: 2.4M (Max Width 12M)
 - Maximum Height: 3.0M (Max Width 10M)
 - Infill's: Mesh/Tube/Palisade/Louvre
-
- Infill's Dimensions: Standard Round Bar 30mm x 6mm Wall Thickness
 - Ambient Humidity: -10 ~ 60°C
 - Fixings: M16/M20 Anchor Shield Bolts
 - Incl. Locinox Industrial Lock with Aluminium Housing & Stainless Steel Mechanism



9000M Product Specification

Specification	CE Approved BS/EN 12453
Maximum Span	12 Metres Drive-Through
Maximum Height	2.4 Metres (Max Width 12M)
Maximum Height	3.0 Metres (Max Width 10M)
Finish	Dual Compound Epoxy Finish
Operation	Manual
Colours	All RAL Colours Available
Dimensions	250mm x 225mm Extruded Aluminium Beam Infill - 30mm Dia. x 6mm Wall Thickness

 Locinox Industrial Lock with Aluminium Housing & Stainless Steel Mechanism



Manual Sliding Gates



Cantilever Sliding Gates

If space is an issue or the driveway behind the gates is on a steep incline, a better option would be a sliding gate. Sliding gates are also very popular in a commercial environment. Our gates are compliant straight from our factory and are ready to bolt down and connect power too. You can install the gate and have peace of mind knowing that they comply to the latest standards. They are in short easy to install and use. We deliver our gates with our Hi-Ab lorry.

9000M

- The 9000M Cantilever Manual Sliding Gate is a cost effective, low maintenance and effective way of manually controlling access to unauthorised areas.
- The internal roller mechanism ensures a smooth and consistent ease of operation providing a durable and efficient service for years to come.
- Optional spikes line the top of the gate to deter intruders. The 6mm wall thickness, evenly spaced individual aluminium bars fitted as standard, further add to the sturdy appearance. A heavy duty locking mechanism as standard will give you peace of mind in the knowledge that the lock is as tough and secure as the gate.
- The manual gates share the same flexibility as the automatic range offering a vast choice of infills such as palisade, mesh and custom infills, which can be easily applied to the gate frame if the standard tubular bar is not suitable for the environment.
- The gate is delivered as a complete unit and lowered on to pre-installed concrete plinths.



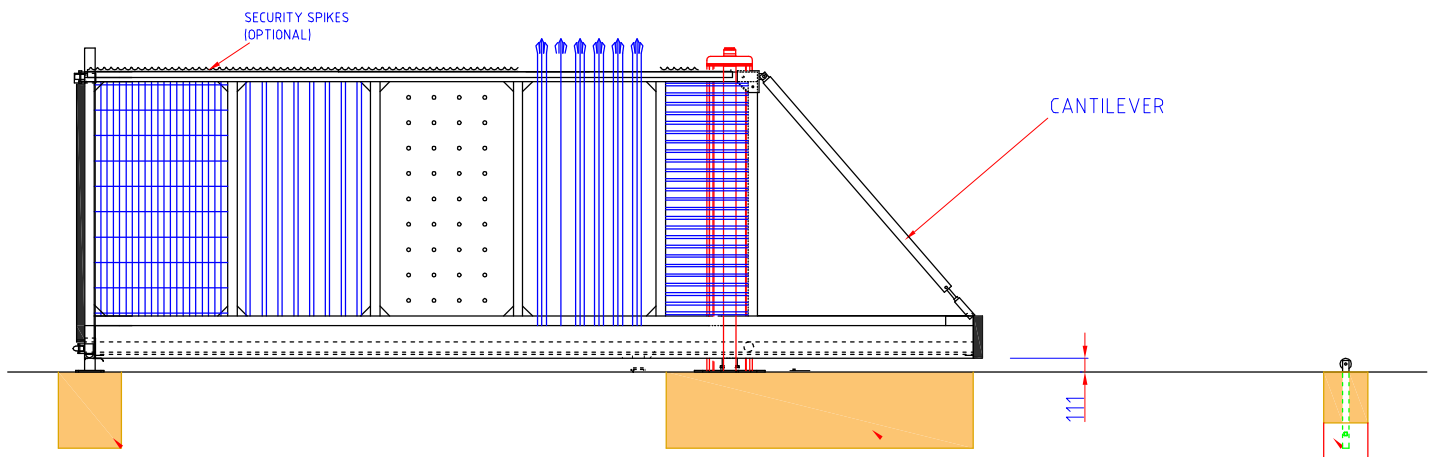
Optional extras:

Razor Wire Extensions
Electric Fence
Anti-Climb Spikes
Timber Infills
Louvre Infills

Manual Sliding Gates



Maximum Span	12 Metres
Opening / Closing Time	N/A
Drive method	Manual
Power Supply	N/A
Finish	Aluminium Powder Coated / 2K PU Finish
Safety Features	N/A
Infill's	Mesh / Tube / Palisade / Louvre
Cycles	100% Continuous Duty Cycle Rating
Control Panel	N/A
Max Height	2.4m (max width 12.0m) 3.0m (max width 10.0m)
Auxiliary Power	N/A
Infill's Dimensions	Std - 30mm round bar x 6mm wall thickness
Ambient Humidity	-10 ~ 60 Degrees Centigrade
Control Panel IP Rating	N/A
Fixings	M16 / M20 Anchor Shield Bolts Included



9500 Bi-Folding Gates

Part of the

9500 BI-FOLDING GATE RANGE

DESCRIPTION



PLUG & PLAY
INSTALLATION

Speed Gates | Compliant | Plug & Play

- 100% duty cycle heavy industrial usage
- BS EN 12453 Peace of mind for safety
- Single Phase Supply
- Plug & Play installation
- Programmable control panel c/w fault diagnostic on screen display
- Highest specification of components are ONLY used
- Seamlessly forms part of the existing fence lines perimeter security
- Steel/Zinc primed for long lasting and maintenance free performance
- MANY different infill's available to match clients exacting requirements
- Error log is stored in the control panel for fault diagnosis
- A VERY easy to use manual release mechanism which requires no tools in the event of power failure.

9500 ADDED BENEFITS

- Ease of installation
- Low maintenance
- 99.9% Access Control compat
- Fast operating gates
- Fire Alarm Input pre-configured
- Designed and built to last
- Easy to use for end users

OPTIONAL EXTRAS

- Razor Wire Extensions
- Electric Fence
- Anti-Climb Spikes
- Traffic Lights
- Warning Siren
- Timber Infills
- Louvre Infills



"INDUSTRY STANDARD"

Our gates have been classed as the best in the industry. It has been designed to last using the best materials and components that we can buy. As with all our products they are 100% Duty Cycle



ABSOLUTE CONTROL

The 9500 Bi-Folding Gates feature a Feig control panel that is far more advanced for safety and motion than its rivals

**THE UK'S
No1
TRIED,
TESTED
& TRUSTED
INDUSTRIAL
GATES**

The 9500 Bi-Folding Trackless Speed Gates are the ideal solutions where speed of opening and closing is essential or where space is at a premium.

The 9500 bi-folding trackless speed gates typically open at more than twice the speed of a traditional swinging gates of the same size which ensures a fast throughput of traffic whilst maintaining security of the site.

The 9500 utilises a driven integrated frequency converter, single phase power, supplying a 3 phase motor, worm and wheel gearbox with a direct-drive shaft connected to the gate leaf, which ensures a smooth and positive movement. 9500 speed gates are rated for 100% duty cycle i.e. continuous operation.

A wide range of alternative infills are available to suit customers requirements and to match adjoining fencing design. Also available are spiked tops, warning lights and sirens if required.

The gates are supplied with a programmable logic control board which is mounted in the main pillar of the gate.

The 9500 Bi-Folding Gates comply with BS/EN 12453 (ALL automated gates must comply with the current legislation). We fit as standard a number of safety devices, including dual height photocells and category 2/3 safety edges.



9500 Bi-Folding Gates



PRODUCT SPECIFICATION

Gate Speed
3 to 8 Seconds
(Speed WILL vary dependant upon gate size/Infill etc)

Duty Cycle
100% Heavy Industrial Usage
Suitable for Indoor & Outdoor Usage

Specification
CE Approved, TUV Approved

Power Requirements
Single Phase 240v 50Hz 10 Amps

Colours
All RAL Colours Available
(Non Standard RAL's Optional Cost)

Maximum Span Dimensions
10m Clear Drive Through Opening

Maximum Height Dimensions
2.4 Metres (Max Width 10m)
3.0 Metres (Max Width 8m)

Material Construction
Steel construction main tower which are shot blasted, zinc primed and 2 pack coated. The gate leaf will be constructed out of specially designed aluminum extrusions which are galvanized and 2 pack coated.

Unit Weight
595Kg Approx
(dependant upon gates size and infill type)

*All gates are bespoke and manufactured to order.



CAD Drawings provided as standard
 .dwg

Tech Support provided and FREE mobile APP as standard

Flashing Beacon

Strong Secure Steel Tower with 7 Lever Safe Locks

Emergency Stop Button & Deadman Keyswitch

Quick & Easy Install

Four Category 3 Safety Edges

Dual Height Photocells

Easy to Use Manual Release



9700 Swing Gates

Part of the 9700 Swing GATE RANGE



PLUG & PLAY
INSTALLATION

DESCRIPTION

Swing Gates | Compliant | Plug & Play

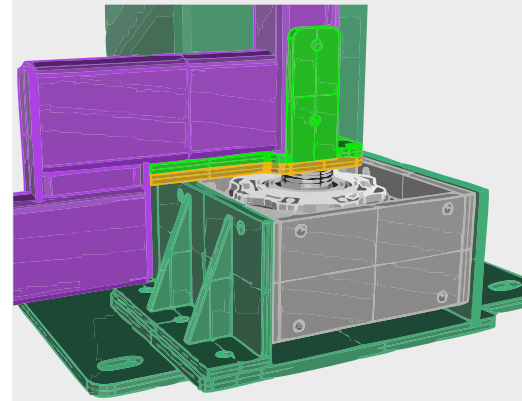
- 100% duty cycle heavy industrial usage
- BS EN 12453 Peace of mind for safety
- Single Phase Supply
- Plug & Play installation
- Programmable control panel c/w fault diagnostic on screen display
- Highest specification of components are ONLY used
- Seamlessly forms part of the existing fence lines perimeter security
- Steel/Zinc primed for long lasting and maintenance free performance
- MANY different infill's available to match clients exacting requirements
- Error log is stored in the control panel for fault diagnosis
- A VERY easy to use manual release mechanism which requires no tools in the event of power failure.

9700 ADDED BENEFITS

- Ease of installation
- Low maintenance
- 99.9% Access Control compat
- Economical & Great Value
- Fire Alarm Input pre-configured
- Designed and built to last
- Easy to use for end users

OPTIONAL EXTRAS

- Razor Wire Extensions
- Electric Fence
- Anti-Climb Spikes
- Traffic Lights
- Warning Siren
- Timber Infills
- Louvre Infills



"INDUSTRY STANDARD"

Our gates have been classed as the best in the industry. It has been designed to last using the best materials and components that we can buy. As with all our products they are 100% Duty Cycle



ABSOLUTE CONTROL

The 9700 Swing Gates feature a Feig control panel that is far more advanced for safety and motion than its rivals

THE UK'S No1 TRIED, TESTED & TRUSTED INDUSTRIAL GATES

The 9700 Swing Gates are a Plug & Play robust and reliable solution that will serve effortlessly for many years. The 9700 Swing gates are an economical solution compared to the Bi-Folding Swing gates BUT share all the same security, safety and reliability. The 9700 utilises a driven integrated frequency converter, single phase power, supplying a 3 phase motor, worm and wheel gearbox with a direct-drive shaft connected to the gate leaf, which ensures a smooth and positive movement. 9700 Swing gates are rated for 100% duty cycle i.e. continuous operation. A wide range of alternative infills are available to suit customers requirements and to match adjoining fencing design. Also available are spiked tops, warning lights and sirens if required. The gates are supplied with an intelligent and compliant! control board which is mounted in the main pillar of the gate. The 9700 Swing Gates comply with BS/EN 12453 (ALL automated gates must comply with the current legislation). We fit as standard a number of safety devices, including dual height photocells and category 3 safety edges. Our Swing Gates drastically reduce engineer installation time on site meaning this also is a better solution to automating existing gates financially for you and your customer.



9700 Swing Gates



PRODUCT SPECIFICATION

Gate Speed

8 to 12 Seconds
(Speed WILL vary dependant upon gate size/Infill etc)

Duty Cycle

100% Heavy Industrial Usage
Suitable for Indoor & Outdoor Usage

Specification

CE Approved, TUV Approved

Power Requirements

Single Phase 240v 50Hz 10 Amps

Colours

All RAL Colours Available
(Non Standard RAL's Optional Cost)

Maximum Span Dimensions

10m Clear Drive Through Opening

Maximum Height Dimensions

2.4 Metres (Max Width 8m)

3.0 Metres (Max Width 6m)

Material Construction

Steel construction main tower which are shot blasted, zinc primed and 2 pack coated. The gate leaf will be constructed out of specially designed aluminum extrusions which are galvanized and 2 pack coated.

Unit Weight

595Kg Approx
(dependant upon gates size and infill type)

*All gates are bespoke and manufactured to order.

CAD Drawings provided as standard



Tech Support provided and FREE mobile APP as standard



Quick & Easy Install

Strong Secure Steel Tower with 7 Lever Safe Locks

Flashing Beacon

Emergency Stop Button & Button & Deadman Keyswitch

Four Category 3 Safety Edges

Dual Height Photocells

Easy to Use Manual Release

